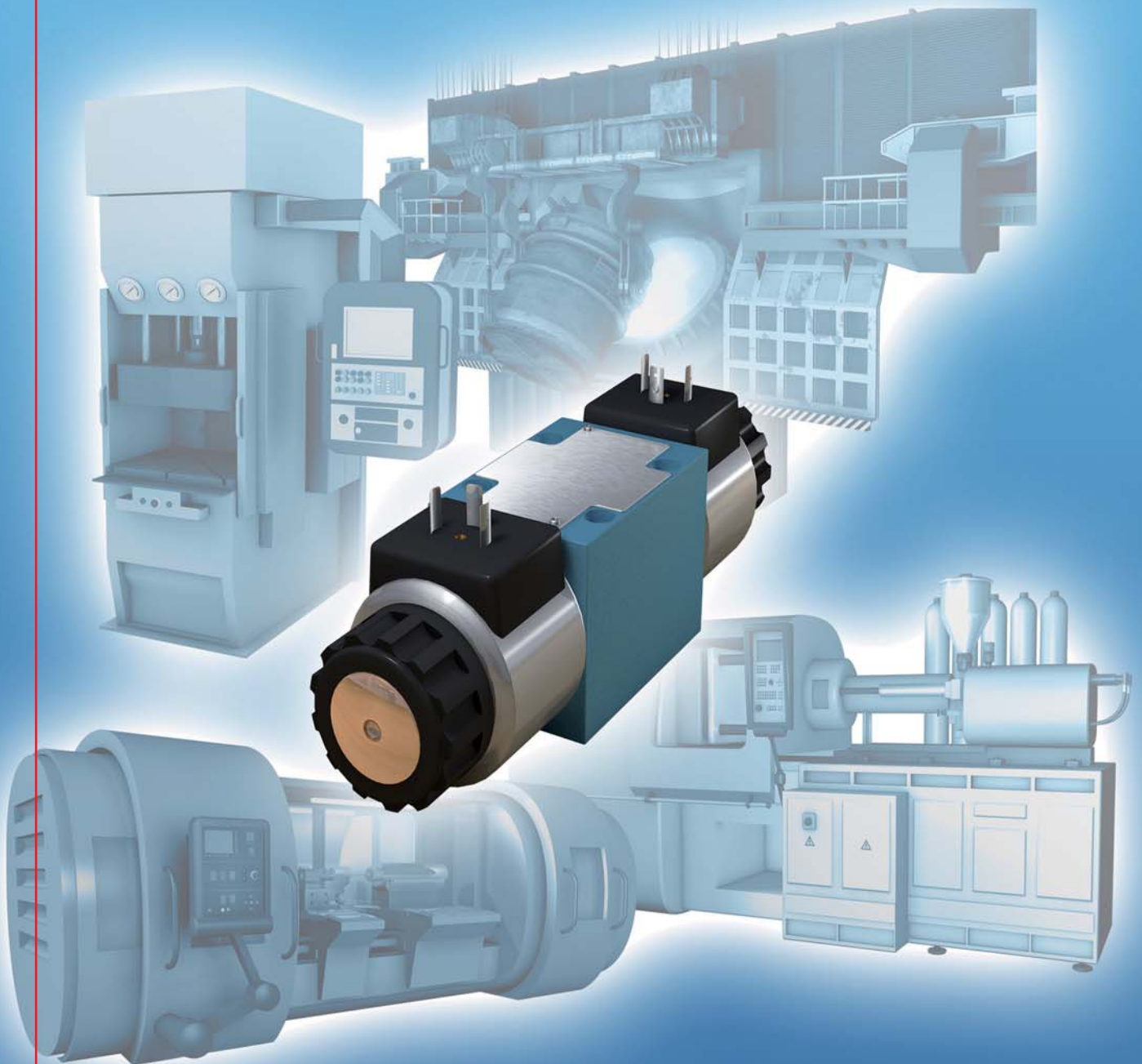


HYDAC

INTERNATIONAL

HYDAC Fluidtechnik: Industrial Valves

Flow Control Valve ZW SDR - Modular





P_{max} = 350 bar
Q_{max} = 50 l/min

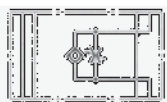
Symbols

ZW-SDR06 AA
P1 T1 A1 B1

ZW-SDR06 AB
P1 T1 A1 B1



P2 T2 A2 B2



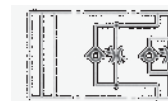
P2 T2 A2 B2

ZW-SDR06 AAB

P1 T1 A1 B1

ZW-SRV06 ZAB

P1 T1 A1 B1

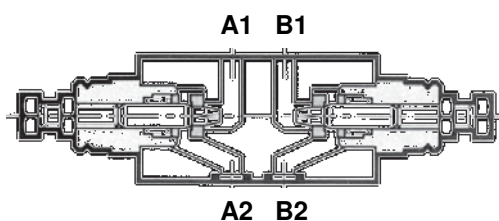


P2 T2 A2 B2



P2 T2 A2 B2

Function



Flow control valve non return as sandwich plate housing ZW-SDR06

Features

- Hole pattern according to DIN 24340 Form A6, ISO 4401-03, nominal size 06
- adjustable flow control valves non return as sandwich plate housing for regulated flow in one direction and full flow in the opposite direction
- easy to assemble under body mounted spool valves according to DIN 24340 Form A6, ISO 4401 (use longer screws)
- type according to ISO 7790
- adjustable by tool

Types

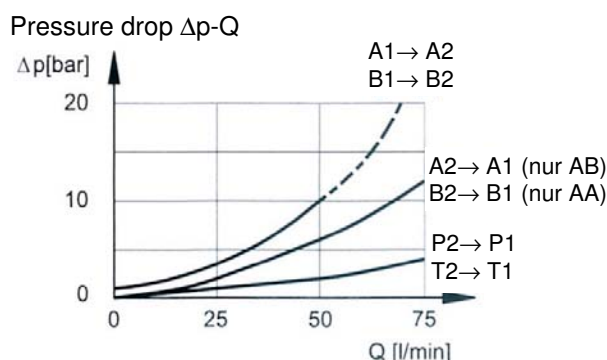
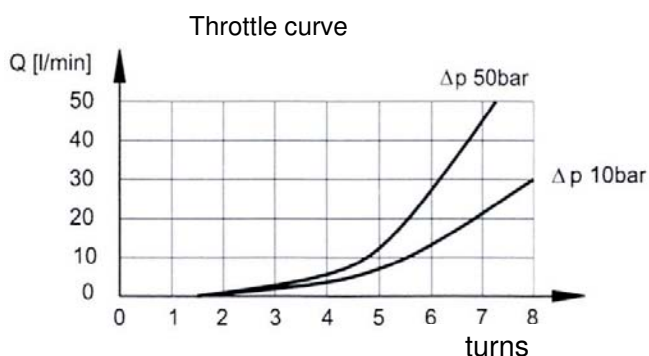
- type AA: Drain in line A
- type AB: Drain in line B
- type AAB: Drain in line A, B
- type ZAB: Inlet in line A, B

Specifications

Operating pressure:	max. 350 bar
Cracking pressure:	0,5 bar
Nominal flow:	max. 50 l/min (in controlled lines) max. 75 l/min (in free lines)
Fluids:	hydraulic oil according to DIN 51524 Part 1 / 2
Media operating temp. range:	-20°C up to max. +80°C
Ambient temperature range:	-20°C up to max. +50°C
Viscosity range:	10 – 400 mm ² /s is recommended
Filtration:	Class 20/18/15 to ISO 4406 or cleaner
Weight:	1,3 kg incl. valves

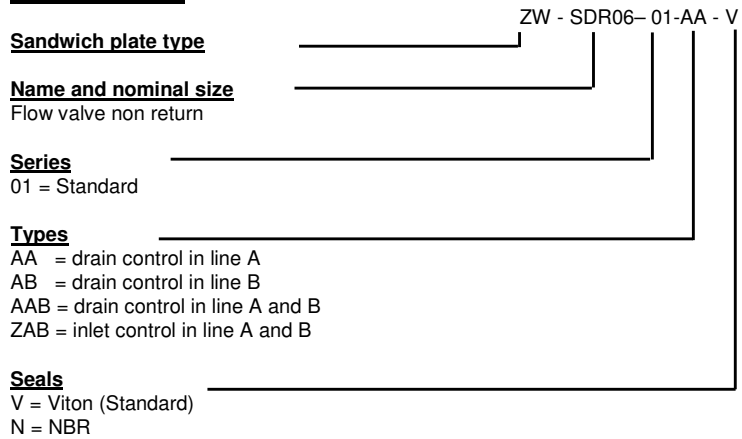
Curves

measured at t = 50°C, ν = 32mm²/s

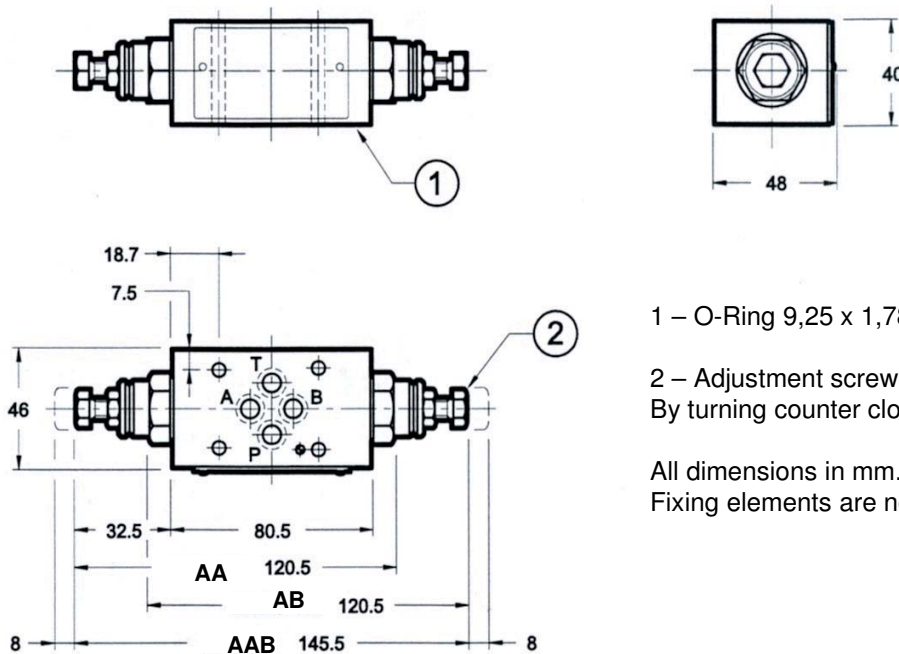


Standard models	Part No.
ZW-SDR06-01-AA-V	6074186
ZW-SDR06-01-AB-V	6074187
ZW-SDR06-01-AAB-V	6074188
ZW-SDR06-01-ZAB-V	6074189
Other types on request	

Model code



Dimensions

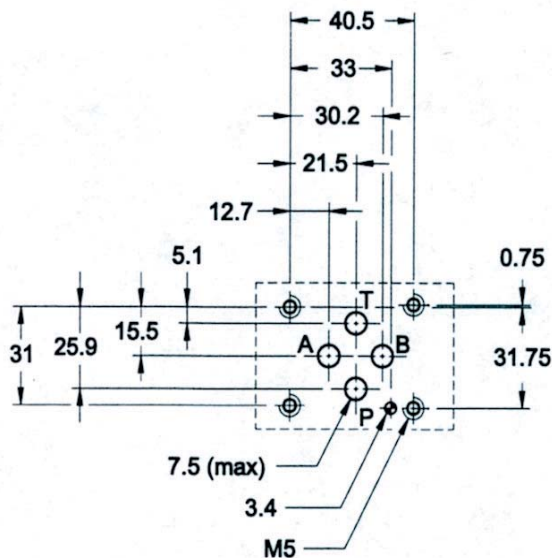


1 – O-Ring 9,25 x 1,78-90Sh (4 pcs.)

2 – Adjustment screw with fixing nut, hex diameter 13.
By turning counter clockwise the nominal flow is increasing.

All dimensions in mm.
Fixing elements are not in scope of delivery.

Mounting plate according to ISO 4401-03



Annotation

The information in this brochure relates to the operating conditions and applications described. For applications or operating conditions not described, please contact the relevant technical department. Subject to technical modifications.

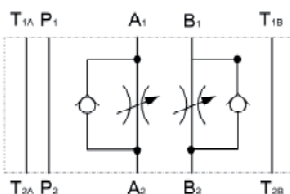
Address: HYDAC Fluidtechnik
Street Justus-von-Liebig-Str. 5
City 66280 Sulzbach / Saar
Tel. 06897 / 509 -0
Fax 06897 / 509 -598
Email flutec@hydac.com



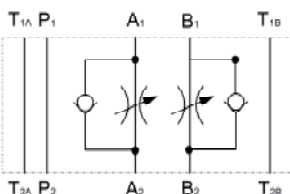
Flow control non return valve as sandwich plate housing ZW-SDR10

up to 350 bar
up to 100 l/min

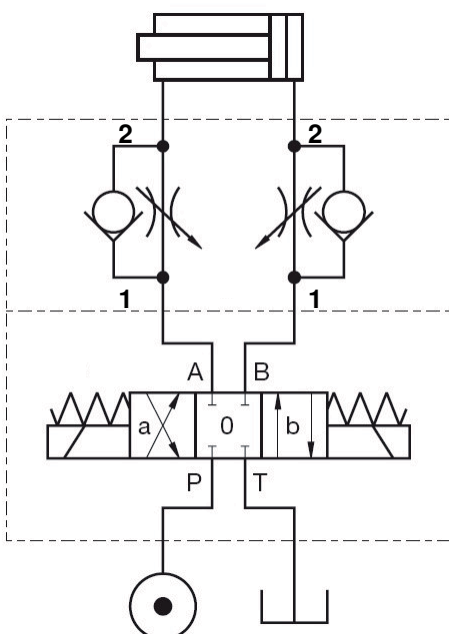
Symbols ZW-SDR10 AAB



ZW-SDR10 ZAB



Function



Features

- Hole pattern to DIN 24340, ISO 4401, nominal size 10
- Adjustable Flow control valve non return valve as sandwich plate housing to throttle in one direction and free backflow in the opposite direction
- easy to assemble under body mounted spool valves to DIN 24340, ISO 4401 (use longer screws)
- type to ISO 7790
- adjustable by tool

Types

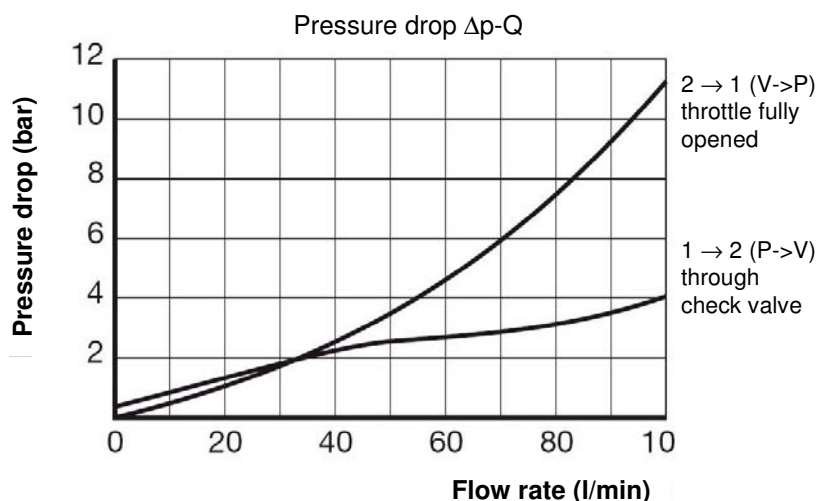
- type AAB / ZAB:
The sandwich plate valve can be changed from downstream throttle to upstream throttle by turning through 180° (s. dimensions).

Specifications

Nominal pressure:	max. 350 bar
Cracking pressure:	0,4 bar
Nominal flow:	max. 100 l/min
Fluids:	Hydraulic fluid to DIN 51524 part 1 and 2
Media operating temp. range:	-20 °C up to max. +70 °C
Ambient temperature range:	-20 °C up to max. +50 °C
Viscosity range:	15 – 380 mm ² /s is recommended
Filtration:	Class 20/18/15 to ISO 4406 or cleaner
Weight:	3,3 kg incl. valve

Diagrams

measured at $t = 50\text{ °C}$, $\nu = 32\text{ mm}^2/\text{s}$



Standard models type Mat-Nr.
 ZW-SDR10-01-AAB-N 6078891
 ZW-SDR10-01-AAB-V 6078911
 ZW-SDR10-01-ZAB-N 6078893
 ZW-SDR10-01-ZAB-V 6078909
 other types on request

Type code

ZW - SDR10-01-AAB - V

Sandwich plate type _____

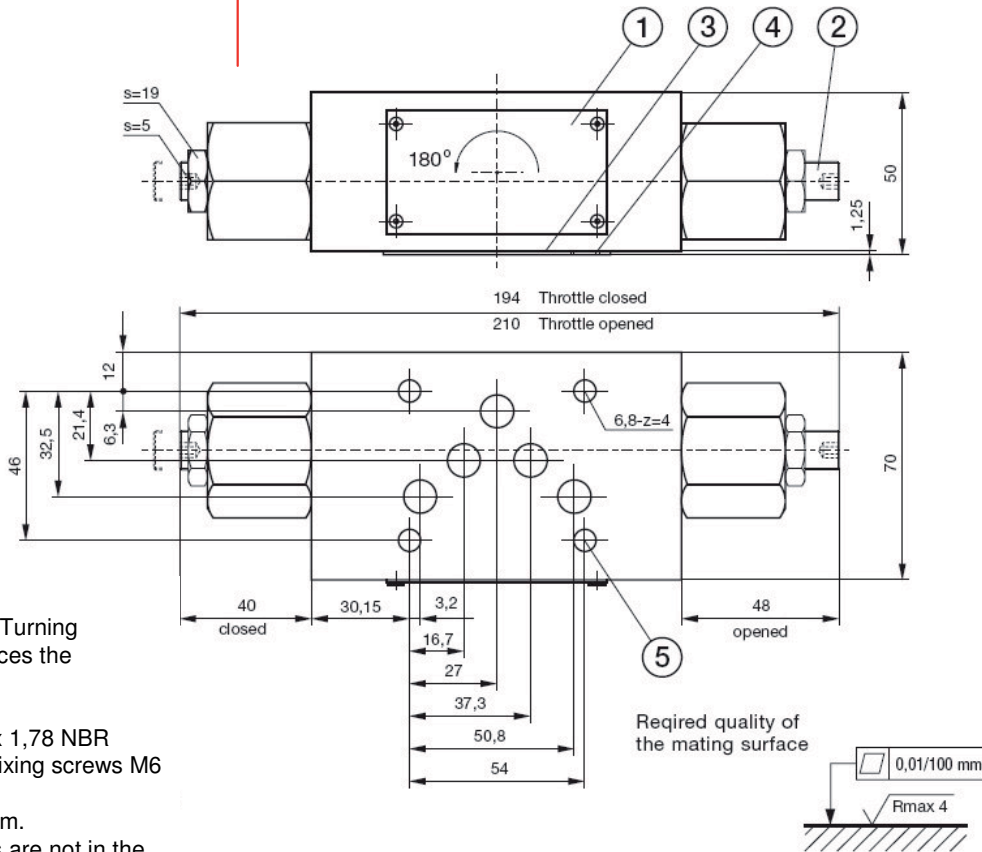
Name and nominal size _____
 Flow control valve non return valve

Series _____
 01 = Standard

Types _____
 AAB = 2 Flow control valve non return valve in A and B, downstream throttle
 ZAB = 2 Flow control valve non return valve in A and B, upstream throttle

Seal material _____
 V = Viton (Standard)
 N = NBR

Dimensions

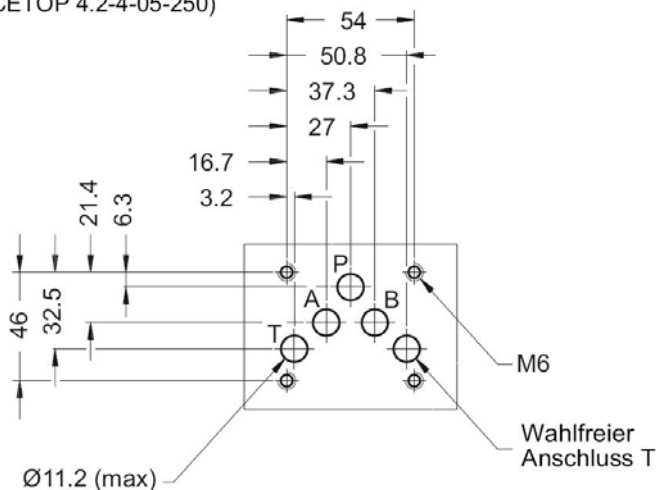


- 1 - Type plate
- 2 - Throttle screw (Turning clockwise reduces the Flow rate)
- 3 - O-Ring plate
- 4 - O-Ring 12,42 x 1,78 NBR
- 5 - Bore holes for fixing screws M6

All dimensions in mm.
 Fastening elements are not in the scope of supply.

Mounting plate to ISO 4401-05

ISO 4401-05-04-0-94
 (CETOP 4.2-4-05-250)



Annotation

The information in this brochure relates to the operating conditions and applications described. For applications or operating conditions not described, please contact the relevant technical department. Subject to technical modifications.

Address: HYDAC Fluidtechnik
 Street Justus-von-Liebig-Str. 5
 City 66280 Sulzbach / Saar
 Tel. 06897 / 509 -0
 Fax 06897 / 509 -598
 Email flutec@hydac.com